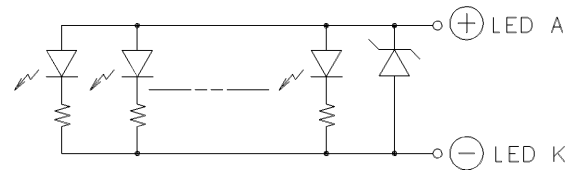
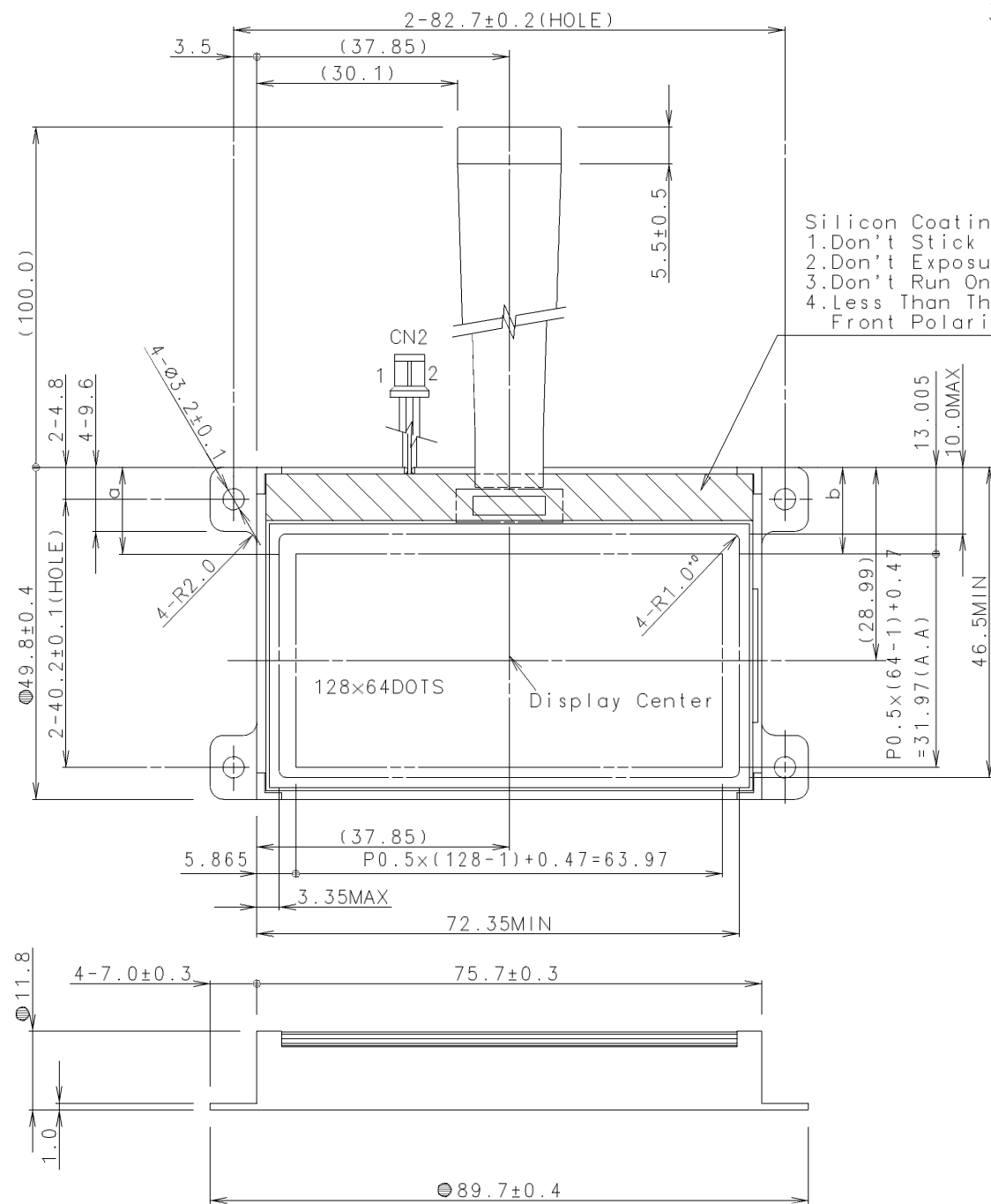


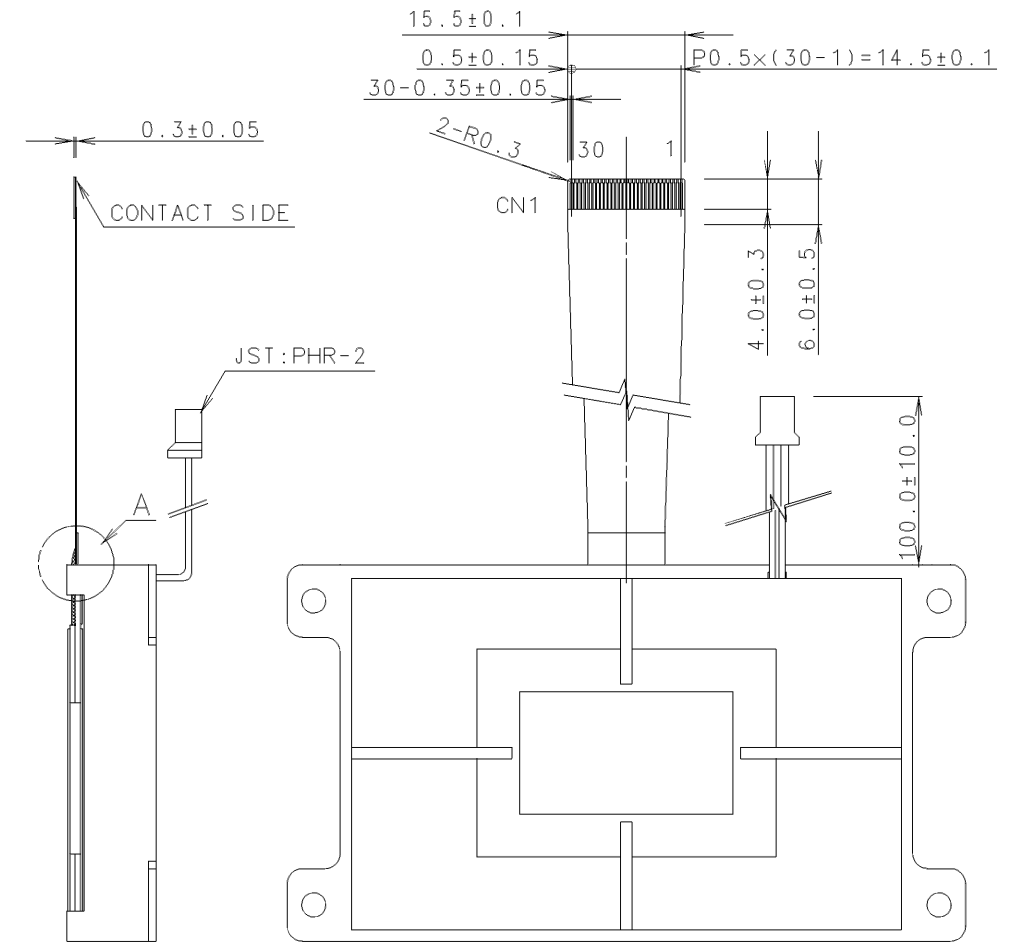
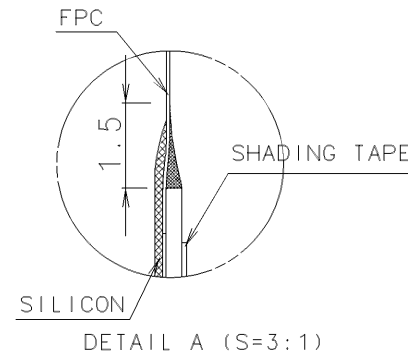
CIRCUIT DIAGRAM



QTY of LED chips
 351852AA/AC : 4chips
 351852AB : 7chips
 351852AG : 12chips



Silicon Coating Area
 1. Don't Stick Out Of Glass.
 2. Don't Exposure ITO.
 3. Don't Run On Front Polarizer.
 4. Less Than Thickness Of Front Polarizer.



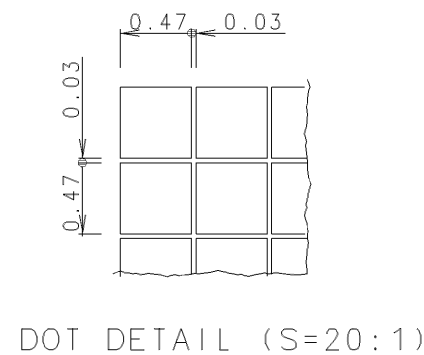
CN1 PIN ASSIGNMENT

No.	SYMBOL	No.	SYMBOL	No.	SYMBOL
1	CS1	11	D5	21	C2+
2	RES	12	D6	22	V1
3	A0	13	D7	23	V2
4	WR	14	VDD	24	V3
5	RD	15	VSS	25	V4
6	D0	16	VOUT	26	V5
7	D1	17	C3-	27	VR
8	D2	18	C1+	28	C86
9	D3	19	C1-	29	P/S
10	D4	20	C2-	30	NC

PIN No.	SYMBOL
1	LED A
2	LED K

NOTES

1. Display Skew |a-b| ≤ 0.5
2. Do not use materials which are prohibited by RoHS.
3. The dimensions with the mark (●) are controlled as a particular characteristic.



MEASURE	TOLERANCE			THIRD ANGLE PROJECTION	DATE
	A	B	C		
L ≤ 16	±0.1	±0.3	±1	UNIT	Feb. 25 '05
16 < L ≤ 63	±0.2	±0.5	±1.5	mm	APPROVED
63 < L ≤ 250	±0.3	±0.8	±2	SCALE	M. MOTOHASHI
250 < L ≤ 500	±0.5	±1.2	±3	1:1	CHECKED
500 < L	±0.8	±2	±4		T. SUZUKI
ANGLE	±1°	±5°	±10°		DRAWN
					ERASA. TANG

OPTREX CORPORATION
 TITLE: DIMENSIONAL OUTLINE
 CODE: F-51852AA base
 DWG NO: UE-312339